

## Fiber-Lite LMI-6000 LED 光纤照明

提供超过 **25,000** 小时的光

比 **150** 瓦卤素灯具有更高的输出并且通过 **CE/RoHS** 认证

- 高功率白光 **LED** 灯
- 一致的色温
- 线性光亮度控制
- 设计适合大多数 **Dolan-Jenner** 光纤
- 通用的 **AC** 电源供应器
- 低热量
- 低电压, 高效节能
- 可堆叠房间
- 快速更换适配器
- 小尺寸
- **1** 年保修



### LMI-6000 LED Spectral Data

LMI-6000 LDE 光谱数据

型号	LMI-6000-US-B1	LMI-6000-US-A2	LMI-6000-US-DG	LMI-6000-US-SG	LMI-6000-US-RL	LMI-6000-US-RB
描述	15 mm (.590") 光纤输入. 包括 115V 美式电源线	25 mm (1.0") 光纤输入. 包括 115V 美式电源线	包括双鹅颈和聚焦透镜, 和 115V 美式电源线	包括单鹅颈和聚焦透镜, 和 115V 美式电源线	包括 60 mm ID 环型灯. 及 115V 美式电源线	包括 66 mm ID 环型灯, 及 115V US 电源线
型号	LMI-6000-EU-B1	LMI-6000-EU-A2	LMI-6000-EU-DG	LMI-6000-EU-SG	LMI-6000-EU-RL	LMI-6000-EU-RB
描述	15 mm (.590") 光纤输入. 包括 230V 欧式电源线	25 mm (1.0") 光纤输入. 包括 230V 欧式电源线	包括双鹅颈和聚焦透镜, 和 230V 欧式电源线	包括单鹅颈和聚焦透镜, 和 230V 欧式电源线	包括 60 mm ID 环型灯. 及 230V 欧式电源线	包括 66 mm ID 环型灯, 及 230V 欧式电源线

### LMI-6000 技术参数

光输出: 780 Lumens  
照明: 高功率白光 LED  
输入电压: 100 - 240 VAC 50/60 Hz  
色温: 标准: 6000 K  
LED 寿命: 25,000 小时 D65  
光纤接口: 15 mm or (25 mm 选项)  
工作温度: 0 - 40°C  
制冷: 电冷式  
亮度控制: 15 档  
尺寸/重量: 3.9" (98.9mm) 宽 x 5.1" (129.4mm) 高 x 7.0" (177.7mm) 长  
5.3 磅 (2.41 千克)  
认证: CE, RoHS



**锦贤科技**  
GENESEA TECHNOLOGY CO., LTD.

深圳市锦贤科技有限公司

SHENZHEN GENESEA TECHNOLOGY CO., LTD.

电话: 0755-36838322 传真: 0755-28226934

网站: [www.gene-sea.com](http://www.gene-sea.com)

邮箱: [genesea@126.com](mailto:genesea@126.com)

Q Q: 510244122 32174454

## Fiber-Lite MI-150, MI-152 & MI-157 150 瓦

### 照明装置

- MI\_150 是通过 UL, CE 认证以及 C-UL 被批准全球通用.
- 所有 Fiber-Lite MI-150 照明装置提供 3 年退回保修.
- MI 系列的光纤照明没有自带适配器.

#### 技术参数

			
型号(115v 输入)	<b>MI-150</b>	<b>MI-152</b>	<b>MI-157</b>
部件编号:	660000391010	660000461011	660001224010
光纤输入直径:	15 mm	25 mm	25 mm w/ manual Iris
灯:	EKE	EKE	EKE-X
灯寿命:	200 小时	200 小时	1000 小时
灯电压/功率:	21 伏/ 150 瓦	21 伏/ 150 瓦	21 伏/ 150 瓦
色温	3250K	3250K	3250K
过滤座, 25 mm 红外滤光片	选项, 如下	选项, 如下	选项, 如下
输入电压选项	100 伏 / 115 伏/ 230 伏	115 伏/ 230 伏	115 伏/ 230 伏
亮度控制	固定状态	固定状态	固定状态
115V 输入保险丝	3 Amp 5x20mm Slo-blow	3 Amp 5x20mm Slo-blow	3 Amp 5x20mm Slo-blow
230V 输入保险丝	2 Amp 5x20mm Slo-blow	2 Amp 5x20mm Slo-blow	2 Amp 5x20mm Slo-blow
噪声等级	<25 dB	<25 dB	<25 dB
115v 安全认证	UL, C-UL	UL, C-UL	UL, C-UL
230v 安全认证	UL, CE, C-UL	UL, CE, C-UL	UL, CE, C-UL
尺寸	6.0"x 8.5"x 5.3" (H) 152mmx 215mmx 134mm (H)	6.0" x 8.5" x 5.3"(H)	6.0" x 8.5" x 5.3"(H)

重量	9.25 磅 (4.2 千克)	9.25 磅	9.25 磅
----	-----------------	--------	--------

型号 115v w/ 红外滤光片及座	<b>MI-150F</b>	<b>MI-152F</b>	<b>MI-157F</b>
部件编号	660000391011	660000465011	660001224011
型号 230v 输入	<b>MI-1501</b>	<b>MI-1521</b>	<b>MI-1572</b>
部件编号	660000392020	660000462011	660001224020
型号 230v w/红外滤光片及座	<b>MI-1501F</b>	<b>MI-1521F</b>	<b>MI-1572F</b>
部件编号	660000392021	660000467011	660001224021

 <p><b>锦贤科技</b> GENESEA TECHNOLOGY CO., LTD.</p>	<p>深圳市锦贤科技有限公司 SHENZHEN GENESEA TECHNOLOGY CO., LTD. 电话: 0755-36838322 传真: 0755-28226934 网站: <a href="http://www.gene-sea.com">www.gene-sea.com</a> 邮箱: <a href="mailto:genesea@126.com">genesea@126.com</a> Q Q: 510244122 32174454</p>
---	--

## Fiber-Lite MI-150 w/Remote

### 便利的远程操作

- MI\_150 是通过 UL, CE 认证以及 C-UL 被批准全球通用.
- 所有 Fiber-Lite MI-150 照明装置提供 3 年退回保修.
- MI 系列的光纤照明没有自带适配器

### 技术参数



型号 (115v 输入)	MI-150R	MI-150V
部件编号	660000931010	660001070010
远程控制	on/off (开/关), 可变亮度	on/off (开/关) 脚踏开关
控制线长度:	7 英尺(2.1 米)	7 英尺
光纤输入直径(光源)	15 mm	15 mm
灯	EKE	EKE
灯泡寿命	200 小时	200 小时
灯电压/功率	21volts / 150 watt	21volts / 150 watt
色温	3250K	3250K
滤网座, 25mm 红外滤光片	Optional, see below	Optional, see below
输入电压选项	115VAC/60HZ, 230VAC/50HZ	115VAC/60HZ, 230VAC/50HZ
亮度控制	on/off feature only	Solid State
115V 输入保险丝	3 Amp 5x20mm Slo-blow	3 Amp 5x20mm Slo-blow
230V 输入保险丝	2 Amp 5x20mm Slo-blow	2 Amp 5x20mm Slo-blow
噪声水平	<25 dB	<25 dB
115V 的安全认证	UL, C-UL	UL, C-UL
230V 的安全认证	UL, CE, C-UL	UL, CE, C-UL
尺寸	6.0" x 8.5" x 5.3"(H)	6.0" x 8.5" x 5.3"(H)
重量	10.05 lbs.	10.30 lbs.

<b>230V 型号</b> <b>Part Number</b>	<b>MI-1501R</b> 660000932020	
<b>Model 115v w/ 12 ft Cord</b> <b>Part Number</b>	<b>MI-150T</b> 660000942020	
<b>Model 115v w/ IR Filter &amp; Holder</b> <b>Part Number</b>		<b>MI-150W</b> 660001070011

 <p><b>锦贤科技</b> GENESEA TECHNOLOGY CO., LTD.</p>	<p>深圳市锦贤科技有限公司 SHENZHEN GENESEA TECHNOLOGY CO., LTD. 电话: 0755-36838322 传真: 0755-28226934 网站: <a href="http://www.gene-sea.com">www.gene-sea.com</a> 邮箱: <a href="mailto:genesea@126.com">genesea@126.com</a> Q Q: 510244122 32174454</p>
---	--

- 2x Light Output!
- Rohs Compliant!



## MODEL DC950H

### 150 Watt, Machine Vision Fiber Optic Illuminator

The Fiber-Lite DC950H now offers up to 2X the output of the current DC950, even greater reliability and is now RoHS compliant!

The DC950H is a cost effective 150 watt quartz halogen light source designed specifically for machine vision lighting. The DC950H features a DC-regulated output, which is stabilized to +/- 0.5 %. Precise regulation is essential for machine vision applications, where variation in input line voltages would otherwise effect the image capture.

The DC950H maintains a compact size, while offering features such as a linear remote intensity control option, Universal AC Input Power, and color filtering capability. The nosepiece is compatible with all of our standard fiber optic configurations.

For assistance in choosing the right fiber optic light guide, call our Applications Engineering Group @ 800-83-FIBER.

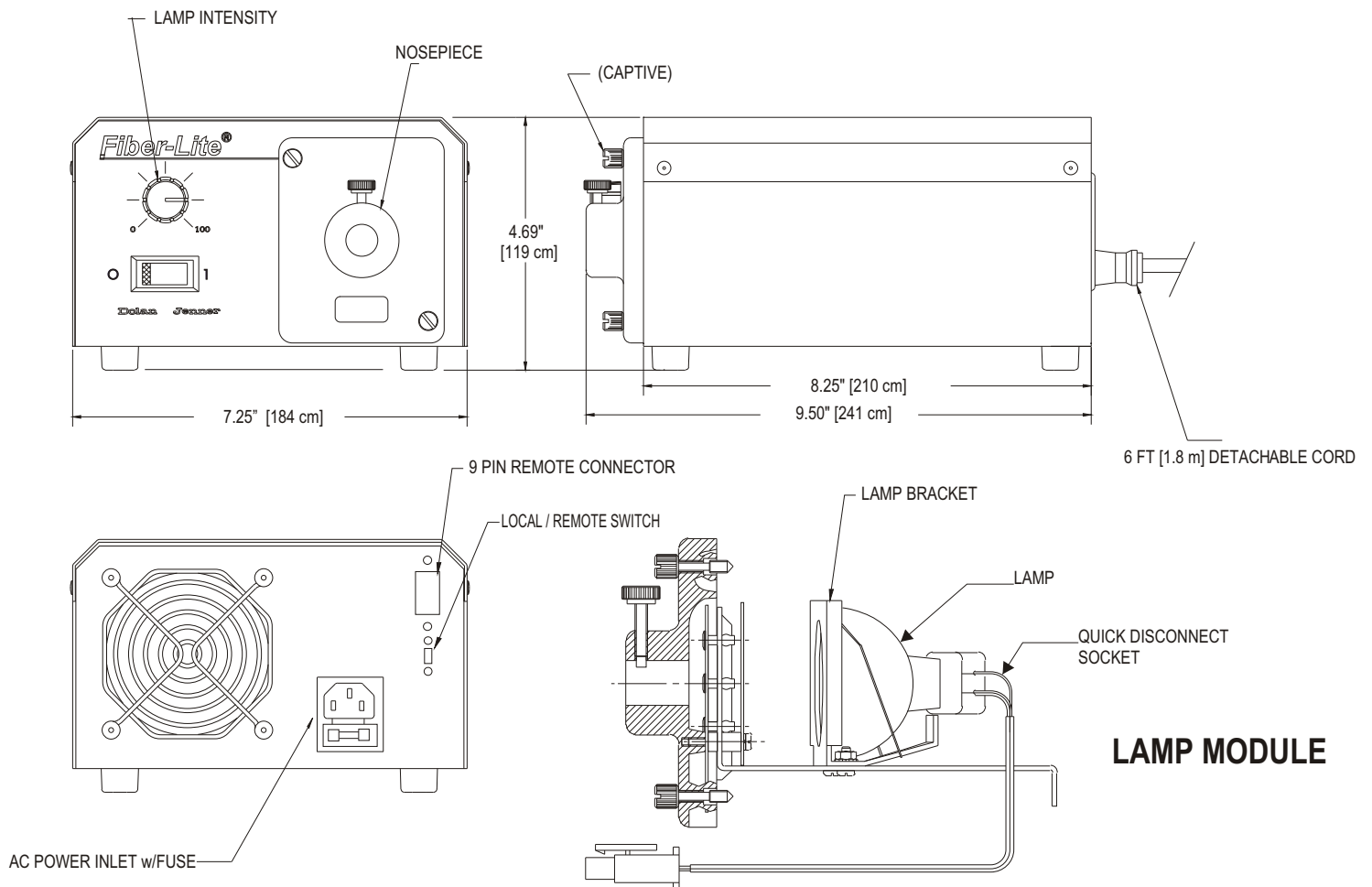
#### FEATURES:

- RoHS Compliant
- Light output regulation of +/- 0.5% or better
- 0-5 VDC linear remote control interface, with optional digital interfaces
- Solid state intensity control (0-100%)
- Universal AC Input Power
- UL/c-UL, FCC and CE
- Color filtering options
- Optional Mounting Brackets
- Easy lamp change
- Cool housing and nosepiece temperature
- Small foot print
- 2 Yr. Warranty

#### TECHNICAL INFORMATION:

<b>Input:</b>	100 - 240 VAC 50/60 Hz Universal AC Input
<b>Lamp:</b>	150 Watt, 21 V, EKE quartz halogen
<b>Color Temperature:</b>	3200° Kelvin at max. intensity
<b>Lamp Life:</b>	200 hrs. at full intensity/ up to 10,000 hrs. at lower levels
<b>Fiber Optic Interface:</b>	DC950H - 1.0 in. dia. DC950HB - 0.59 in. dia.
<b>Light Output Regulation:</b>	+/- 0.5% or better
<b>Output Ripple:</b>	0.4% or better
<b>Intensity Control:</b>	solid state 0-100%
<b>Remote Intensity Control:</b>	0-5 VDC analog, optional 8-bit digital or RS232
<b>Dimensions:</b>	7.25" x 9.50" x 4.69"
<b>Weight:</b>	11.5 lbs.
<b>Approvals:</b>	UL/c-UL, FCC, CE, CB, RoHS

## DIMENSIONAL DRAWINGS



- ➔ Machine Vision Lighting • *Backlights (QVABL Full Size and QVMABL Miniature)*
  - *Line Lights (QF Single and QDF Dual)*
  - *Diffuse On-Axis Lighting (AI-2 and AI-4 Models)*
- ➔ Microscopy Illumination • *Ringlights*
  - *Dual & Single*
  - *Self-supporting*
- ➔ Custom Fiber Optics for • *Glass, Quartz & Plastic*
  - *Sensing & Illumination*



**锦贤科技**

GENESEA TECHNOLOGY CO., LTD.

深圳市锦贤科技有限公司

SHENZHEN GENESEA TECHNOLOGY CO., LTD.

电话: 0755-36838322 传真: 0755-28226934

网站: [www.gene-sea.com](http://www.gene-sea.com)

邮箱: [genesea@126.com](mailto:genesea@126.com)

Q Q: 510244122 32174454



# Fiber-Lite MI-150 Ringlight System

## Shadow Free Illumination

*Universal fit and Custom fit systems for popular Nikon, Olympus, Leica & Unitron microscopes*

- **The MI-150 is UL, CE, and C-UL approved for global use.**
- **All Fiber-Lite MI-150 Illuminators come backed with a 3 year warranty.**
- **No Adapters required for MI Series Accessories**



Model #	MI-150RA	MI-150RB	MI-150RC	MI-150RD	MI-150RG	MI-150RL	MI-150RU
Microscope Application	Nikon SMZ 645,660	Universal 25 degree transition fits 60-66mm Objective lens	Universal straight transition fits 60-66mm Objective lens	Olympus SZ30,40,50	Leica S4E, S6D/E, S8APO	Universal Plastic fits 45-60mm Objective lens	Unitron ZST, ZSB (w/o aux lens)

---

## MI-150 Specifications

Lamp: EKE, 21 Volt, 150 Watt (EJV, 21 Volt, 150 Watt, optional)  
Lamp Life: 200 Hours at full intensity (40 Hours at full intensity)  
Color Temperature EKE, 3250K (EJV, 3350K, optional)  
Voltage: 115 VAC, 50/60 Hz  
230 VAC, 50/60 Hz  
Intensity Control: Solid State 0-100%  
Fuse : 3A 5 x 20 mm slow blow (115V)  
2A 5 x 20 mm slow blow (230V)  
Noise Level: < 25 dB  
Safety Approvals: UL, CE, C-UL  
Dimensions: 6.0" x 8.5" (w) x 5.3" (h)  
Weight: 9.25 Pounds

 <p>锦贤科技 GENESEA TECHNOLOGY CO., LTD.</p>	<p>深圳市锦贤科技有限公司 SHENZHEN GENESEA TECHNOLOGY CO., LTD. 电话: 0755-36838322 传真: 0755-28226934 网站: <a href="http://www.gene-sea.com">www.gene-sea.com</a> 邮箱: <a href="mailto:genesea@126.com">genesea@126.com</a> Q Q: 510244122 32174454</p>
--	--

# *Fiber-Lite MI-150 Gooseneck Systems*

## Single or Dual Models

- *The MI-150 is UL, CE, and C-UL approved for global use.*
- *All Fiber-Lite MI-150 Illuminators come backed with a 3 year warranty.*
- *No Adapters required for MI Series Accessories*

### Specifications



Model (115 volt input)	MI-150SG	MI-150DG
Part number	660000391013	660000391014
Configuration	Single gooseneck system	Dual gooseneck system
Fiber Optic Model / Part Number	BG2820M / 002156024020	EEG2823M / 002144040028
Lens Model / Part Number	LH-759 / 010030020003	LH-759 / 010030020003
Fiber input diameter (light source)	15 mm	15 mm
Lamp	EKE	EKE
Lamp life	200 hours	200 hours
Lamp voltage/wattage	21volts / 150 watt	21volts / 150 watt
Color temprature	3250K	3250K
Filter holder, 25 mm Ir filter	Optional, see below	Optional, see below
Input voltage options	115VAC/60HZ, 230VAC/50HZ	115VAC/60HZ, 230VAC/50HZ
Intensity control	Variable Solid State	Variable Solid State
Fuse 115 volt input	3 Amp 5x20mm Slo-blow	3 Amp 5x20mm Slo-blow
Fuse 230 volt input	2 Amp 5x20mm Slo-blow	2 Amp 5x20mm Slo-blow
Noise level	<25 dB	<25 dB
Safety certifications 115v	UL, C-UL	UL, C-UL
Safety certifications 230v	UL, CE, C-UL	UL, CE, C-UL

<b>Dimensions</b>	6.0" x 8.5" x 5.3"(H)	6.0" x 8.5" x 5.3"(H)
<b>Weight</b>	10.05 lbs.	10.30 lbs.

<b>Model 230 volt input</b>	<b>MI-150SG1</b>	<b>MI-150DG1</b>
<b>part number</b>	660000392023	660000392024
<b>Model 115V w/ IR filter option</b>	<b>MI-150SGF</b>	<b>MI-150DGF</b>
<b>part number</b>	660000391016	660000391017
<b>Model 230V w/ IR filter option</b>	<b>MI-150SG1F</b>	<b>MI-150DG1F</b>
<b>part number</b>	660000392026	660000392027

 <p><b>锦贤科技</b> GENESEA TECHNOLOGY CO., LTD.</p>	<p>深圳市锦贤科技有限公司 SHENZHEN GENESEA TECHNOLOGY CO., LTD. 电话: 0755-36838322 传真: 0755-28226934 网站: <a href="http://www.gene-sea.com">www.gene-sea.com</a> 邮箱: <a href="mailto:genesea@126.com">genesea@126.com</a> Q Q: 510244122 32174454</p>
--	--

# Fiber-Lite 180 Illuminator

## Classic 150 Watt Illuminator

- *Durable and quiet with the lowest possible vibration levels*
- *Compatible with all Fiber-Light standard and custom fiber optic light guides*



### Specifications

Lamp:	EKE, 21 Volt, 150 Watt (EJV, 21 Volt, 150 Watt, optional)
Lamp Life:	200 Hours (40 Hours at full intensity)
Color Temperature	EKE, 3250°K (EJV, 3350°K, optional)
Voltage:	115 VAC, 50/60 Hz 220/230 VAC, 50/60 Hz
Intensity Control:	Rheostat, 50 - 100%
Fuse :	2.5A 250V 3AB slow blow (115 VAC) 1.25A 250V 3AG slow blow (230 VAC)
Noise Level:	N/A
Dimensions:	5.87" x 6.5" x 9"
Weight:	9.00 Pounds
Fiber Input Diameter	1.00"



**锦贤科技**  
GENESEA TECHNOLOGY CO., LTD.

深圳市锦贤科技有限公司

SHENZHEN GENESEA TECHNOLOGY CO., LTD.

电话: 0755-36838322 传真: 0755-28226934

网站: [www.gene-sea.com](http://www.gene-sea.com)

邮箱: [genesea@126.com](mailto:genesea@126.com)

Q Q: 510244122 32174454

## *Fiber-Lite 180 Illuminator*

### **181-Dual Gooseneck System**

- *Durable and quiet with the lowest possible vibration levels*
- *Compatible with all Fiber-Light standard and custom fiber optic light guides*



### Specifications

Lamp:	EKE, 21 Volt, 150 Watt (EJV, 21 Volt, 150 Watt, optional)
Lamp Life:	200 Hours at full intensity (40 Hours at full intensity)
Color Temperature	EKE, 3250°K (EJV, 3350°K, optional)
Voltage:	115 VAC, 50/60 Hz 220/230 VAC, 50/60 Hz
Intensity Control:	Rheostat, 50 - 100%
Fuse :	2.5A 250V 3AB slow blow (115 VAC) 1.25A 250V 3AG slow blow (230 VAC)
Noise Level:	N/A
Dimensions:	5.87" x 6.5" x 9"
Weight:	9.00 Pounds
Fiber Input Diameter	1.00"
Adapters	A-type adapter series



**锦贤科技**  
GENESEA TECHNOLOGY CO., LTD.

深圳市锦贤科技有限公司

SHENZHEN GENESEA TECHNOLOGY CO., LTD.

电话: 0755-36838322 传真: 0755-28226934

网站: [www.gene-sea.com](http://www.gene-sea.com)

邮箱: [genesea@126.com](mailto:genesea@126.com)

Q Q: 510244122 32174454

## *Fiber-Lite 180 Illuminator*

### **360-1 RL System**

- Durable and quiet with the lowest possible vibration levels
- Compatible with all Fiber-Lite stand and custom fiber optic light guides



### Specifications

Lamp:	EKE, 21 Volt, 150 Watt (EJV, 21 Volt, 150 Watt, optional)
Lamp Life:	200 Hours at full intensity (40 Hours at full intensity)
Color Temperature	EKE, 3250°K (EJV, 3350°K, optional)
Voltage:	115 VAC, 50/60 Hz 220/230 VAC, 50/60 Hz
Intensity Control:	Rehooestat, 50 - 100%
Fuse :	2.5A 250V 3AB slow blow (115 VAC) 1.25A 250V 3AG slow blow (230 VAC)
Noise Level:	N/A
Dimensions:	5.87" x 6.5" x 9"
Weight:	9.00 Pounds
Fiber Input Diameter	1.00"
Adapters	A-type adapter series



**锦贤科技**  
GENESEA TECHNOLOGY CO., LTD.

深圳市锦贤科技有限公司

SHENZHEN GENESEA TECHNOLOGY CO., LTD.

电话: 0755-36838322 传真: 0755-28226934

网站: [www.gene-sea.com](http://www.gene-sea.com)

邮箱: [genesea@126.com](mailto:genesea@126.com)

Q Q: 510244122 32174454

## Fiber-Lite MI-30

### Sleek, Convection Cooled Unit

- *The MI-30 is UL and C-UL approved for global use.*
- *All Fiber-Lite MI-30 Illuminators come backed with a 3 year warranty.*
- *No Adapters required for MI Series Accessories*

### Specifications



Model (115 volt input)	MI-30	MI-30SG	MI-32
Part number	660000570000	660000570003	660001380000
Fiber input diameter	15 mm	15 mm	25 mm
Lamp	EKZ	EKZ	EKZ
Lamp life	200 hours minimum	200 hours minimum	200 hours minimum
Lamp voltage/wattage	10.8V 30 Watt	10.8V 30 Watt	10.8V 30 Watt
Color temprature	3100K	3100K	3100K
Filter holder, 25 mm Ir filter	Optional, see below	Optional, see below	Optional, see below
Input voltage options	115VAC/60HZ, 230VAC/50HZ	115VAC/60HZ, 230VAC/50HZ	115VAC/60HZ, 230VAC/50HZ
Intensity control	None	None	None
Fuse 115 volt input	.5A 250V SLO-BLO 5X20MM U	.5A 250V SLO-BLO 5X20MM U	.5A 250V SLO-BLO 5X20MM U
Fuse 230 volt input	.5A 250V SLO-BLO 5X20MM U	.5A 250V SLO-BLO 5X20MM U	.5A 250V SLO-BLO 5X20MM U
Cooling	fanless operation	fanless operation	fanless operation
Noise level	very low noise, no moving parts	very low noise, no moving parts	very low noise, no moving parts
Safety certifications 115v	UL, C-UL	UL, C-UL	UL, C-UL
Safety certifications 230v	UL, C-UL	UL, C-UL	UL, C-UL



<b>Dimensions</b>	6.0" x 8.5" x 5.3"(H)	6.0" x 8.5" x 5.3"(H)	6.0" x 8.5" x 5.3"(H)
<b>Weight</b>	7.60 lbs.	9.25 lbs.	7.60 lbs.

<b>Model 230 volt input part number</b>	<b>MI-301</b> 660000571020	<b>MI-30SG1</b> 660000571023	
<b>Model 115V w/ IR Filter option part number</b>	<b>MI-30F</b> 660000570001		
<b>Model 230V w/ IR Filter Option part number</b>		<b>MI-30SG1F</b> 660000571026	

 <p><b>锦贤科技</b> GENESEA TECHNOLOGY CO., LTD.</p>	<p>深圳市锦贤科技有限公司 SHENZHEN GENESEA TECHNOLOGY CO., LTD. 电话: 0755-36838322 传真: 0755-28226934 网站: www.gene-sea.com 邮箱: genesea@126.com Q Q: 510244122 32174454</p>
---	---

## *Fiber-Lite Model 190*

### **Convection Cooled and Rugged Gooseneck System**

- *Delivers over 10,000 foot candles of intense, cold illumination*
- *Rugged, convection-cooled enclosure*
- *4-position switch allows selection of light levels*

### Specifications



Model (115 volt input)	<b>190</b>	<b>190-1</b>
<b>Part number</b>	002819000100	002819010001
<b>Fiber input diameter</b>	3/8 X 32 THD	3/8 X 32 THD
<b>Configuration</b>	Light source only	Single gooseneck system
<b>Fiber Optic Model / Part Number</b>	N/A	BGT1826 / 002
<b>Lens Model / Part Number</b>	N/A	LH-759 / 010030020003
<b>Lamp</b>	EKZ	EKZ
<b>Lamp life</b>	200 hours	200 hours
<b>Lamp voltage/wattage</b>	10.8V 30 Watt	10.8V 30 Watt
<b>Color temperature</b>	3100K	3100K
<b>Input voltage options</b>	115VAC/60HZ, 220VAC/50HZ	115VAC/60HZ, 220VAC/50HZ
<b>Intensity control</b>	4 position, Off/Low/Med/High	4 position, Off/Low/Med/High
<b>Cooling</b>	fanless operation	fanless operation
<b>Noise level</b>	very low noise, no moving parts	very low noise, no moving parts
<b>Safety certifications 115v</b>	none	none
<b>Safety certifications 220v</b>	none	none
<b>Dimensions</b>	7.5" H X 5.25" Diameter	7.5" H X 5.25" Diameter

<b>Weight</b>	4.6 lbs.	6.25 lbs.
---------------	----------	-----------

<b>Model 220V input</b>	<b>190/220</b>	<b>190-1/220</b>
<b>Part Number</b>	002819000200	002819010002

 <p><b>锦贤科技</b> GENESEA TECHNOLOGY CO., LTD.</p>	<p>深圳市锦贤科技有限公司 SHENZHEN GENESEA TECHNOLOGY CO., LTD. 电话: 0755-36838322 传真: 0755-28226934 网站: <a href="http://www.gene-sea.com">www.gene-sea.com</a> 邮箱: <a href="mailto:genesea@126.com">genesea@126.com</a> Q Q: 510244122 32174454</p>
---	--

## *Fiber-Lite Model 3100 Gooseneck System*

### **Single Gooseneck and Ring Light Models**

- *The 3100 is economical, lightweight and compact*
- *EKZ lamp provides upwards of 10,000 footcandles*
- *Interfaces with all Fiber-Lite standard and custom fiber optic light guides*

### Specifications



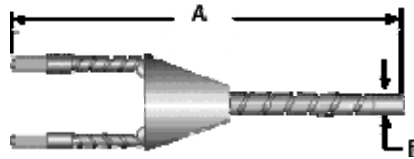
Model	3100	3100-1	3100-A37P
Part Number	002831000000	660000051001	660000051004
Configuration	Light source only	Single gooseneck system	Annular ring light system
Fiber Optic Model / Part Number	N/A	BGG1823 / 002156050023	A3739P / 002190040039
Lens Model / Part Number	N/A	LH-759 / 010030020003	N/A
Light Source Adapter	N/A	SX-10 / 020863050002	SX-10 / 020863050002
Fiber Input Diameter	25mm	25mm	25mm
Lamp	EKZ	EKZ	EKZ
Lamp Life (full intensity)	200 hours	200 hours	200 hours
Lamp Voltage/Wattage	10.8V 30 Watt	10.8V 30 Watt	10.8V 30 Watt
Color Temperature	3100K	3100K	3100K
Filter Holder, 25 mm IR Filter	sold separately, see below	sold separately, see below	sold separately, see below
Input Voltage	115vac/60Hz	115vac/60Hz	115vac/60Hz
Intensity Control	4 position, Off/Low/Med/High	4 position, Off/Low/Med/High	4 position, Off/Low/Med/High
Noise Level	<25 dB	<25 dB	<25 dB
Dimensions	4.5" X 3" X 6.75"	4.5" X 3" X 6.75"	4.5" X 3" X 6.75"
Weight	4.6 lbs.	6.25 lbs.	5.6 lbs.

**Filter Kit w/Holder & Filters**

<b>Model Number / Part Number</b>	FSA-100 / SK7275	FSA-100 / SK7275	FSA-100 / SK7275
-----------------------------------	------------------	------------------	------------------

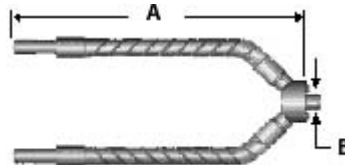
**Light Guides for MI-150 Series, Model 180, and Model 3100 Illuminators**

EEG3736/EEG3736M



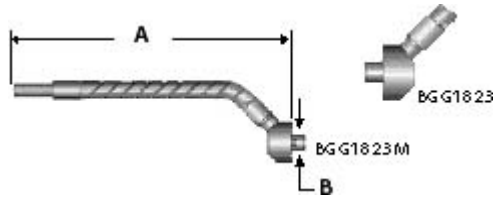
P/N	Length (A)	Input, dia (B)	Adapter	Use w/Model
EEG3736	36 (914)	0.436 (11.07)	SX-7	180
EEG3736M	36 (914)	0.588 (14.9)	N/A	MI-150

EEG2823/EEG2823M



P/N	Length (A)	Input, dia (B)	Adapter	Use w/Model
EEG2823	23 (584.2)	0.625 (15.9)	SX-11	180
EEG2823M	23 (584.2)	0.588 (14.9)	N/A	MI-150

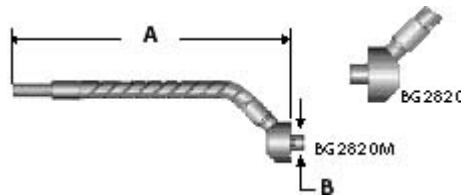
BGG1823/BGG1823M



P/N	Length (A)	Input, dia (b)	Adapter	Use w/Model
BGG1823	23 (584.2)	0.562 (14.3)	SX-10	180/3100
BGG1823M	23 (584.2)	0.588 (14.9)	N/A	MI-150

---

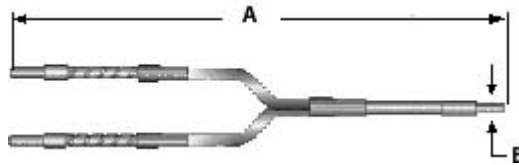
### BG2820/BG2820M



P/N	Length (A)	Input, dia (b)	Adapter	Use w/Model
BG2820	20 (508)	0.624 (15.9)	SX-11	180
BG2820M	20 (508)	0.588 (14.9)	N/A	MI-150

---

### EEG436/EEG436M



P/N	Length (A)	Input, dia (b)	Adapter	Use w/Model
EEG436	36 (914)	0.312 (10.7)	SX-6	180/3100
EEG436M	36 (914)	0.588 (14.9)	N/A	MI-150

